

The Lighting Solution for Optimal Growth

The PROXIMITY RACK side-lighting system distributes additional light directly to under-served areas of the canopy to optimize flower size and yield. RACK delivers an extra 32 ft² of light per 8 feet of crop row to increase yield and revenue by 20%+.



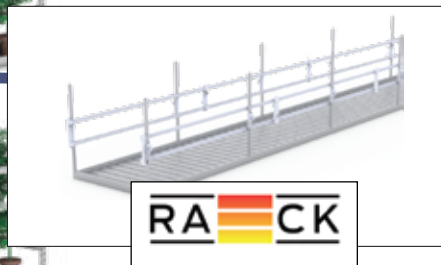
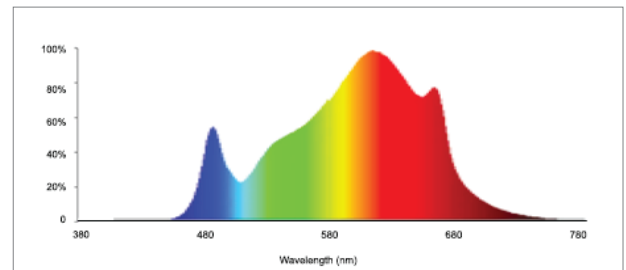
R8-1-250M-D-1FL

| | |
|--------------------|--|
| Area Coverage | 32ft ² (2.97m ²)/4' x 8' Rack |
| Light Output (PPF) | 575 μmol/s |
| Power (AC) | 230W |
| Efficacy (PPF) | 2.5 μmol/J |
| Input Voltage | 100-277 V |
| Power Factor | > .94 @ 277 VAC |
| Weight | 23 lbs (10.43 kg) |
| Dimensions | 98.5" x 1.23" x 14.75" (2.5m x .03m x .38m) |
| Light Source | Broad Spectrum 3000K CCT |
| Light Distribution | 120° per Lightbar, vertically offset by 1 ft. |
| Thermal Management | Passive |
| LED Lifetime (L90) | >54,000 hrs. |
| Max. Ambient Temp. | 30° C (86° F) |
| THD | < 10% |
| IP Rating | IP65 |
| Warranty | 5 Years |

MAXIMIZE YIELD EVERY HARVEST

RACK is designed to seamlessly integrate into existing single and multi-tier racks, benches and rolling tables, delivering:

- 20%+ Increase in Flower Grading
 - 20%+ Increase in Dry Yield
 - 20%+ Increase in Revenue
- + Powered by TSRgrow remote power servers
 - + No equipment intruding in grow zone
 - + Does not limit plant space or density
 - + No complicated mounting hardware needed
 - + Powder coated for durability and ease of cleaning
 - + Zero downtime for install or readjust
 - + Less trimming needed in lower canopy
 - + Promotes 10% shorter plants



POWERED BY TSRgrow

GF 7.25

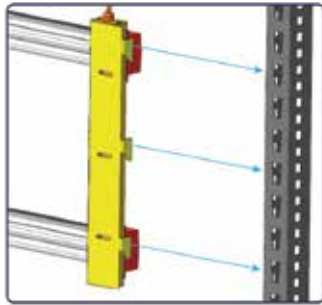


Patented Side Lighting

Easy to install, adjust and work through, RACK mounts flush with the sides of your racking to deliver consistent supplemental PAR, regardless of your setup. The result is consistently larger colas and higher yield with minimal impact on maintenance or harvest routines.

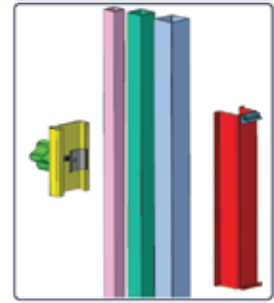
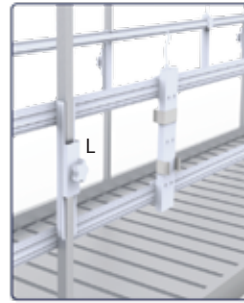
Universal Mounts for Multi-Tier Racking

RACK integrates with all commercial multi-tier racking providers for quick and effortless installation with fast results.



Attach to Any Upright on Benches & Tables

Mount RACK to the sides of benches and rolling tables to attach to any sized leg, riser or trellis post. Install at an height and easily adjust later.



Powered by TSRgrow Remote Power Servers



Lighting as a Platform (LaP)

- + Lighting as a service, the right amount at the right time
- + Set and automate your growing profiles. Remote monitoring, no more wondering
- + Build your financial model on consistent production and quality with TSRgrow distributed LED lighting solutions
- + Centralized operation and maintenance outside the grow area, no contamination or disruption to schedules
- + GROWHub Maintains 24x7 Crop Recipe for Consistent Production and Yields

Real Time Monitoring, Analytics and Crop Steering with GROWHub

Full control and monitoring over lighting and power for consistent quality yields every time. Manage, track and control every fixture and zone in your grow.

Software monitoring and control intelligence for cultivation optimization to minimize operating costs while providing crop to crop historical comparisons for growing consistency.

High Voltage Remote Driver

Ideal for large scale growing

| | |
|------------------------------------|---|
| Power Factor | >0.95 |
| Efficiency | 94% |
| Input Voltage | 208-480 VAC |
| Output Modules | 8 |
| Output Power | 24 K (3KW / Module) |
| Location | Outside Grow Room |
| Output Power | HVDC |
| Dimming & Control Methods | 0-10V, PoE, Ethernet |
| Connectors & Transmission Hardware | RJ11, RJ12, RJ45, Quick Disconnect, Flying Leads, Terminal Block, USB |
| Integral Control Capabilities | Energy Monitoring, Dimming: 0-100% |
| Local and Cloud Control | Yes |
| Scheduling | Yes |
| Monitoring | Yes |
| DLI Control | Yes |

