



## TG-800HVM-WLM4-8L

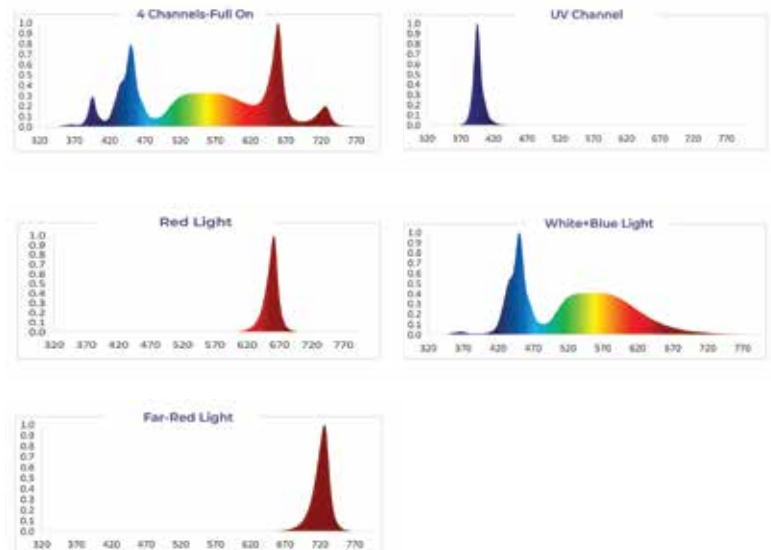
Spectrum	Multi-Channel
Efficacy	2.5 $\mu\text{mol/J}$ @ 277V AC
PPF	1575 $\mu\text{mol/s}$
Input Power	800W @ 277V AC
Input Voltage	200-277 V AC
Dimensions - Bar	45 in x 2.54 in x 45 in
Weight	31 lbs.
Mounting Height	36-48" Above Canopy
Thermal Management	Passive
Dimming	0-10 V
Max Operating Temp	40°C
Power Factor	>0.9
Supply Frequency	50/60 Hz
THD	<20%
Lifetime	L90: > 36,000hrs.
IP Rating	IP65
Warranty	5 Years Limited Warranty
Certifications	UL8800

### ORDERING INFORMATION

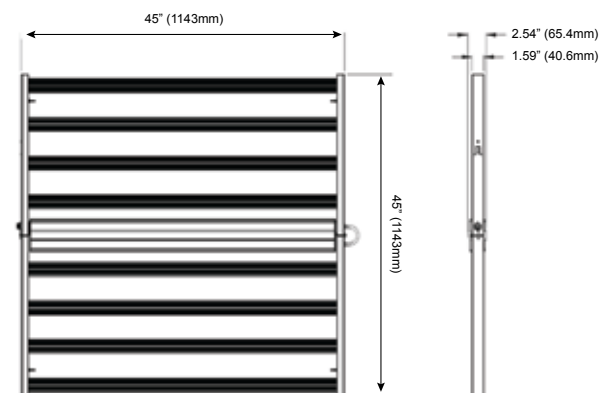
Model	Spectrum	Wattage
TG800HVM	Multi-Channel	8L
AC Power Cord	DC Power Cord	Plug
6ft	6ft	N5 NEMA 5-15P
9ft	12ft	N6 NEMA 6-15P
12ft		LZP NEMA L7-15P PT Pigtaills

+ The TSRgrow TG800 is an 800W multi-channel spectrum light fixture built for high-performance commercial cultivation. Its slim, low-profile design is ideal for vertical racking and low-ceiling environments. Engineered to reduce wasted energy and heat, the TGL800 delivers powerful full-spectrum output with precise DLI control. A plug-and-play design with a high-efficiency driver ensures easy installation.

- + Four Channels to give plants the spectrum they need when they need it
- + Integrates into cultivation control systems
- + Ideal for high DLI crops such as cannabis and hemp



### TECHNICAL DIAGRAM



## Real Time Monitoring, Analytics and Crop Steering with GROWHub



Unlimited zone mapping and light control - even when connected to 3rd party control systems

Detailed power monitoring of building, rooms and zones

Full control and monitoring over lighting and power for consistent quality yields every time. Manage, track and control every fixture and zone in your grow.

Software monitoring and control intelligence for cultivation optimization to minimize operating costs while providing crop to crop historical comparisons for growing consistency.

## Lighting as a Platform (LaaP)

- + Lighting as a service, the right amount at the right time
- + Set and automate your growing profiles. Remote monitoring, no more wondering
- + Build your financial model on consistent production and quality with TSRgrow distributed LED lighting solutions
- + Centralized operation and maintenance outside the grow area, no contamination or disruption to schedules
- + GROWHub Maintains 24x7 Crop Recipe for Consistent Production and Yields

## High Voltage Remote Driver

Ideal for large scale growing

Power Factor	>0.95
Efficiency	94%
Input Voltage	208-480 VAC
Output Modules	8
Output Power	24 K (3KW / Module)
Location	Outside Grow Room
Output Power	HVDC
Dimming & Control Methods	0-10V, PoE, Ethernet
Connectors & Transmission Hardware	RJ11, RJ12, RJ45, Quick Disconnect, Flying Leads, Terminal Block, USB
Integral Control Capabilities	Energy Monitoring, Dimming: 0-100%
Local and Cloud Control	Yes
Scheduling	Yes
Monitoring	Yes
DLI Control	Yes

